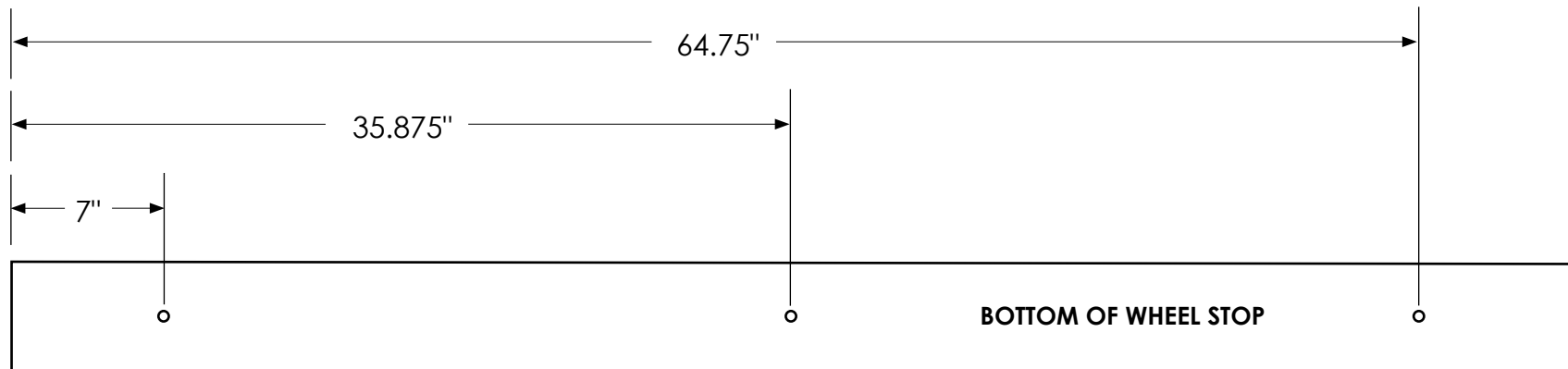
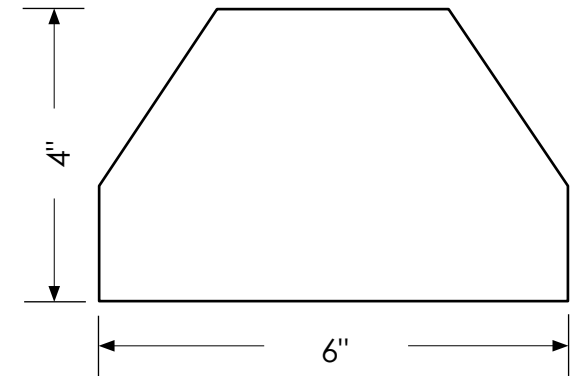
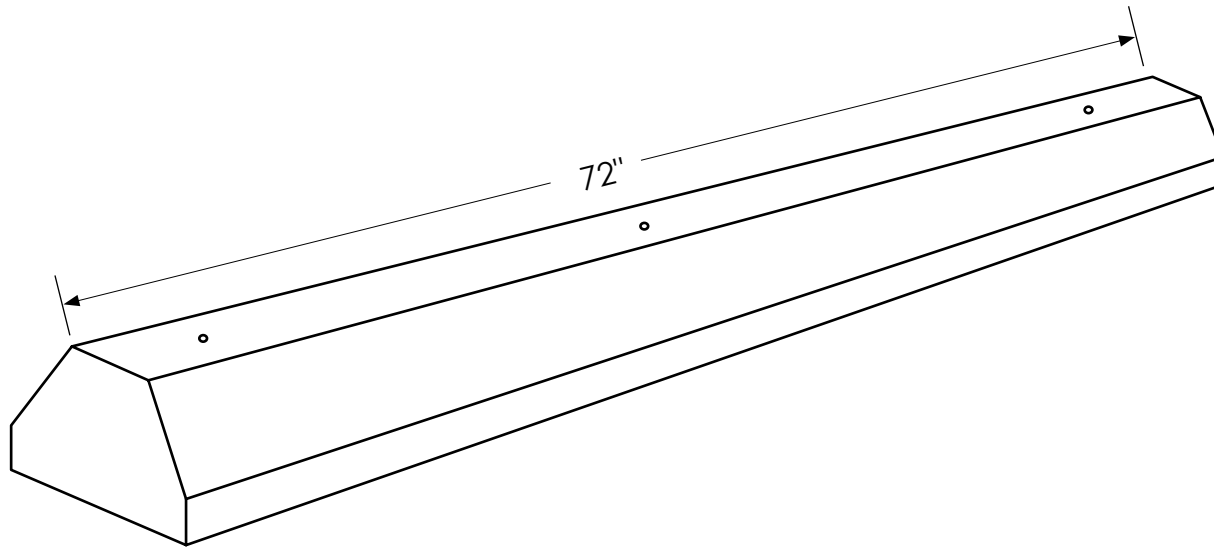


PREMIUM RUBBER WHEEL STOP SPECIFICATIONS



TOTAL WEIGHT: 14 lbs

NOTES:

- All dimensions are nominal—allow for slight mold shrinkage
- 3 molded-in hardware holes; 1/4" rebar spikes sold separately
- Material: 48% polypropylene, 48% polyolefin elastomer rubber, 3% color (molded-in), 1% foaming agent
- 15-year warranty against breakage