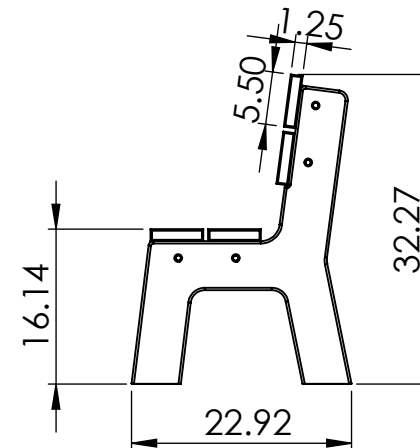
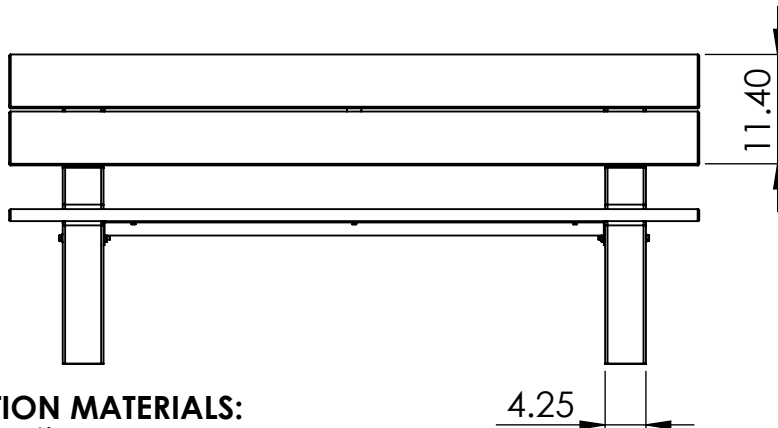
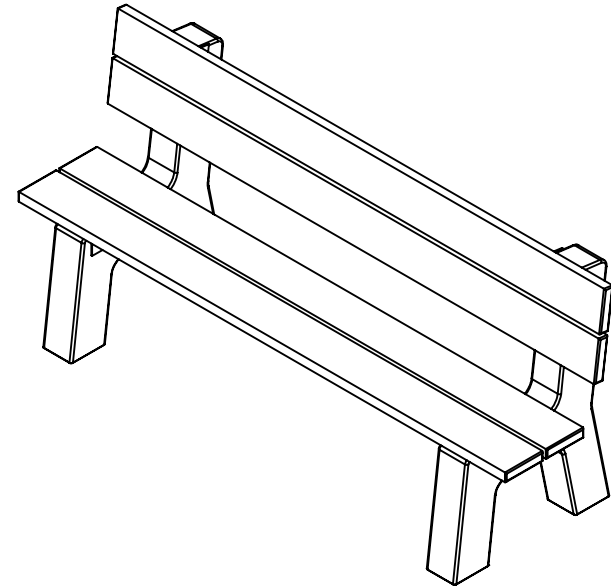
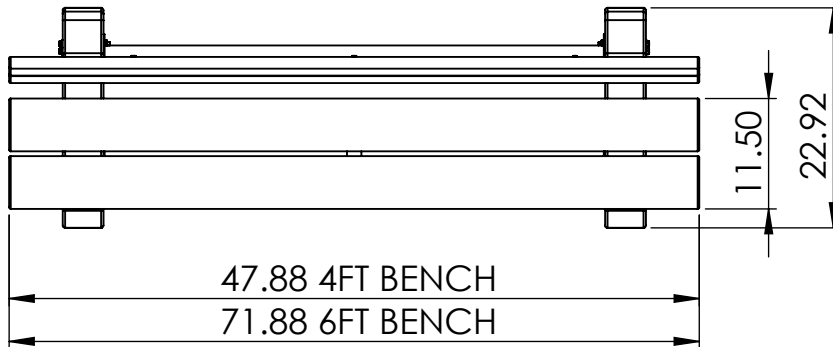


Bench Instructions

REV# 1
3/23/21

NH1004
NH1006



CONSTRUCTION MATERIALS:

Recycled Plastic
Concrete
Powder Coated Steel

Hardware:

Stainless Steel

ALL DIMENSIONS SHOWN IN INCHES