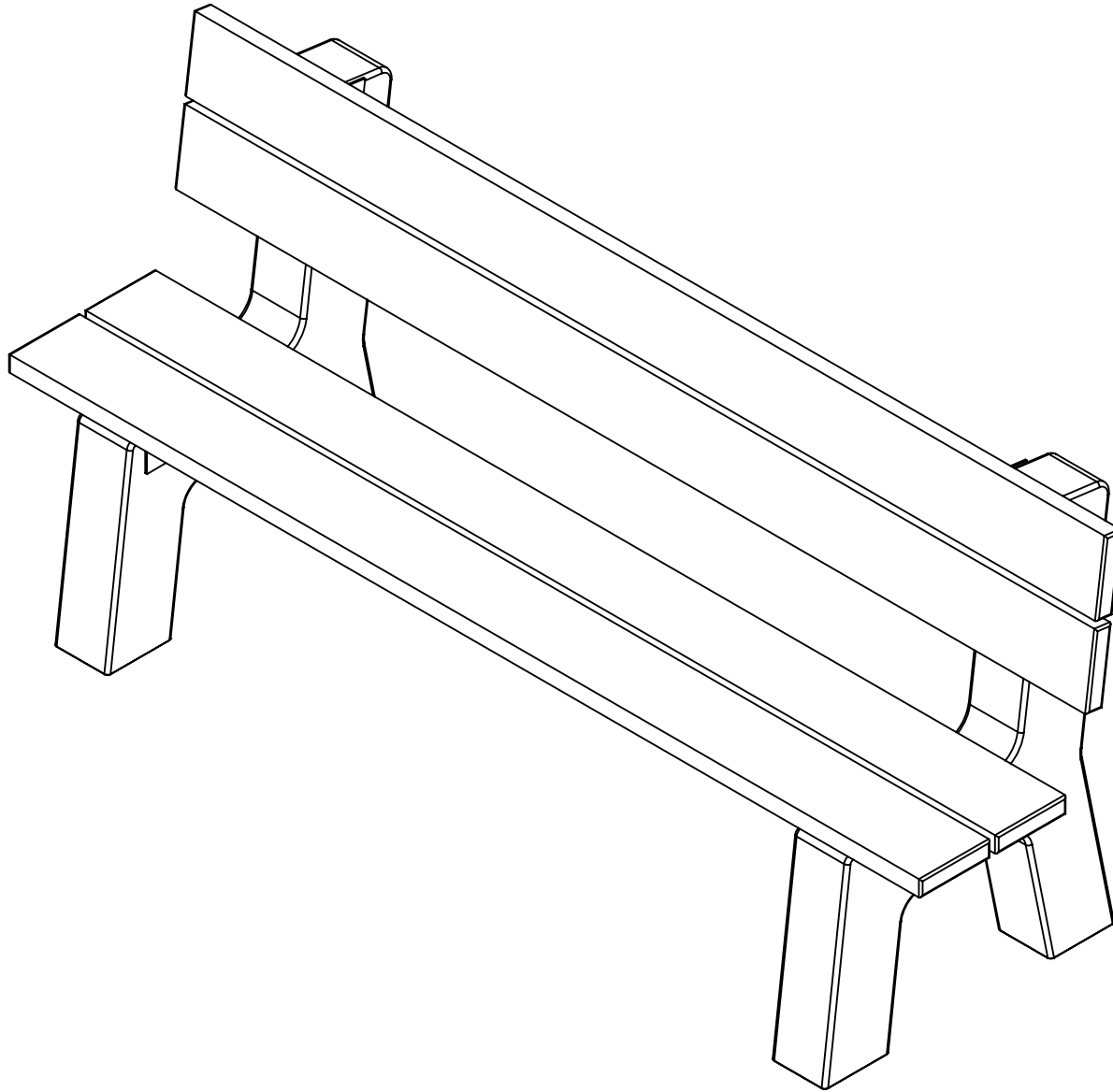
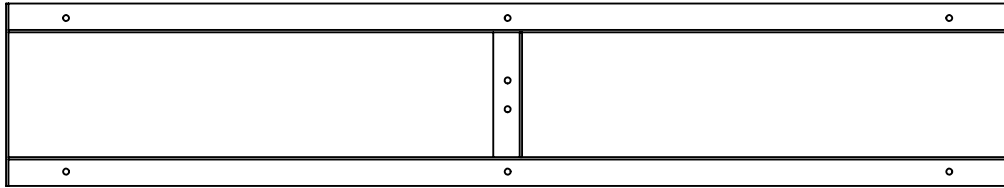


Bench Instructions

NH1004 REV #1
NH1006
3/23/2021

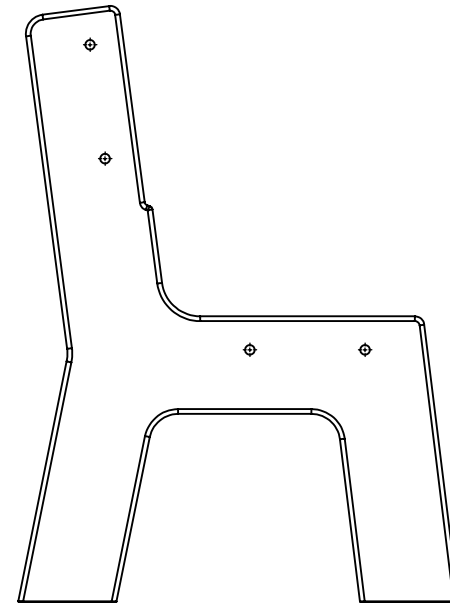


Bench Instructions



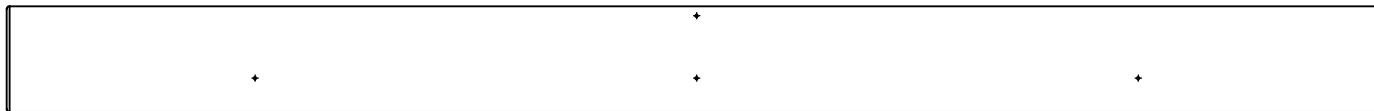
2

KBC104-FR or KBC0106-FR
4' or 6' Bench Frames



2

1047
Concrete Ends



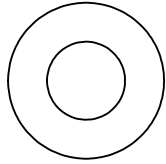
4

ANH-P0001
Seat Slat

**HARDWARE &
TOOLS REQUIRED
FOR ASSEMBLY**

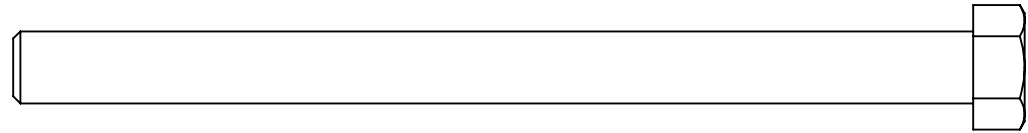
2/6

Bench Instructions



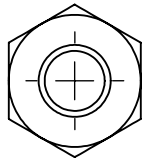
8

WUSS037WAS188
3/8 USS FLAT WASHER # 18-8



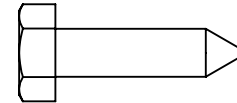
8

HHCS037C500188
3/8- 16 X 5 NC HEX HD CAP SC



12

NNYL037CNUT188
3/8- 16 NC "NE" FIN HEX LO



16

HLAG025C100188
1/4 x 1 Hex Lag Screw

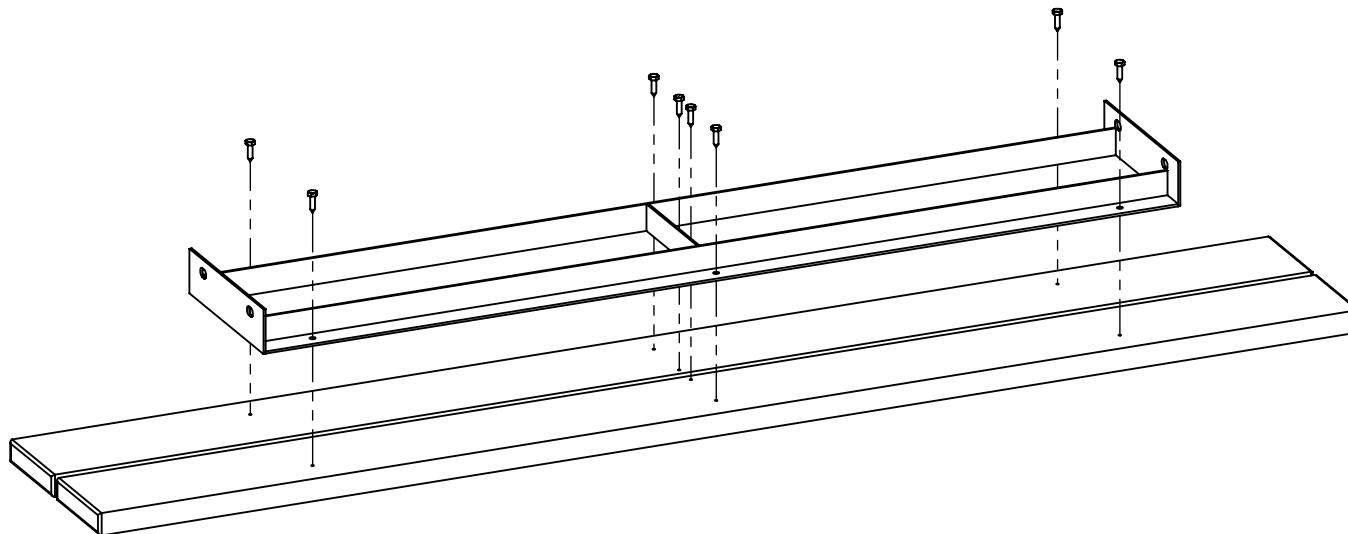
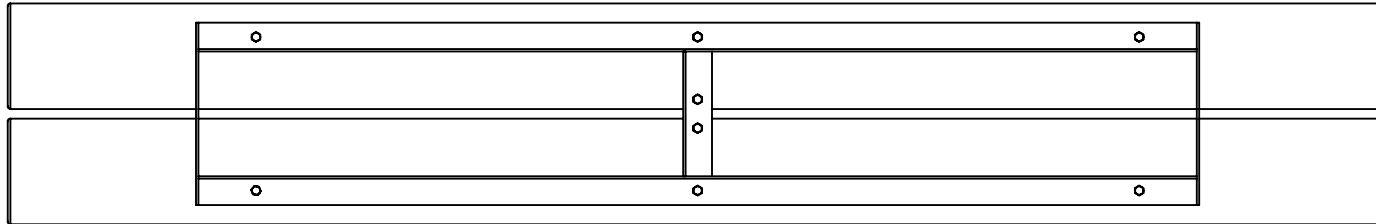
**HARDWARE &
TOOLS REQUIRED
FOR ASSEMBLY**

3/6

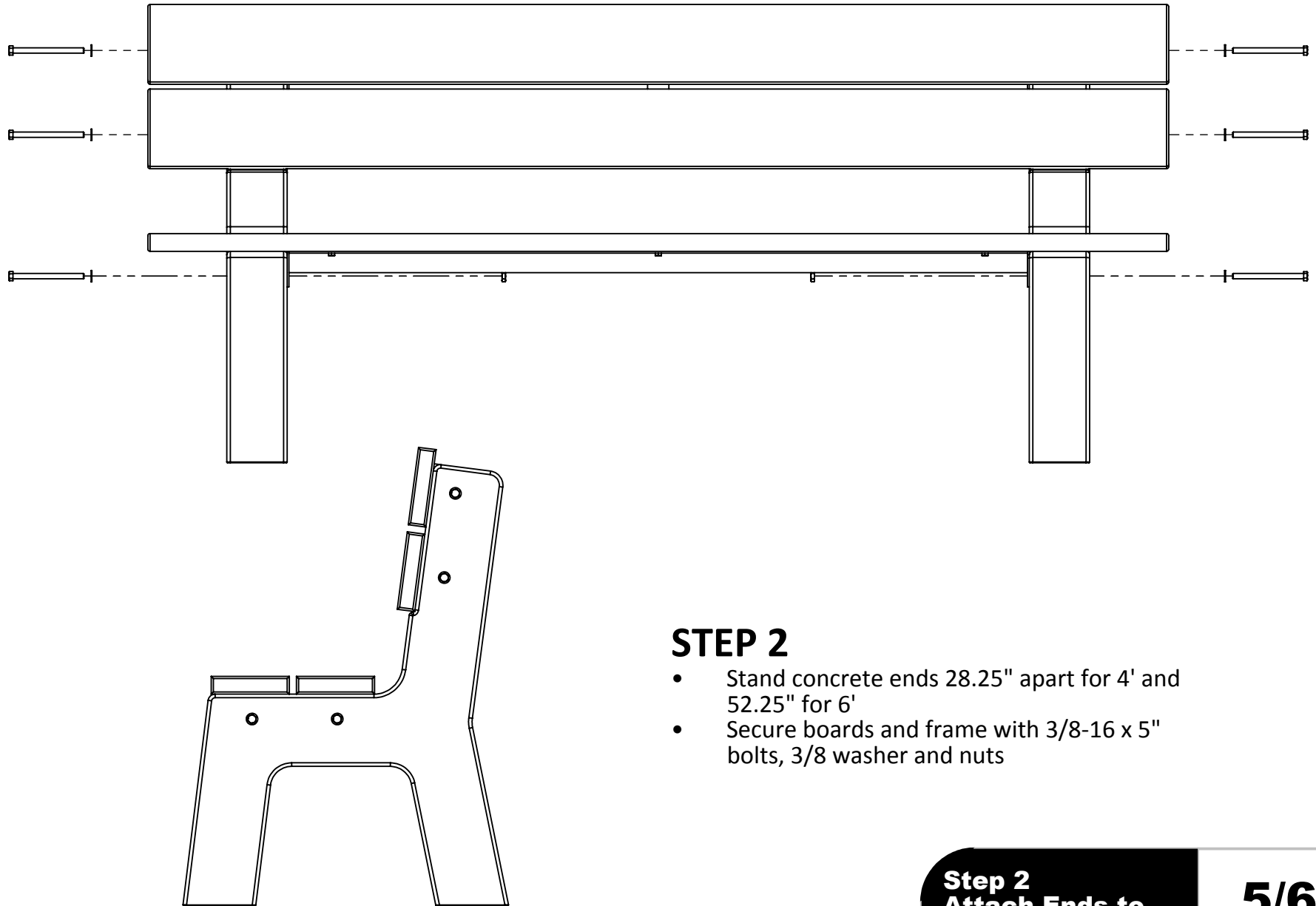
Bench Instructions

STEP 1

- Lay 2 plastic boards on flat surface with stamps facing up
- Align frame with stamps and secure the boards with the 1/4 x 1" hex lags



Bench Instructions



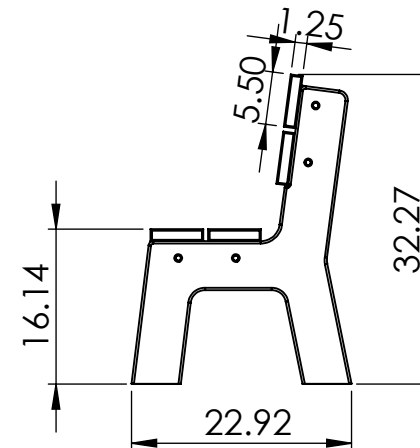
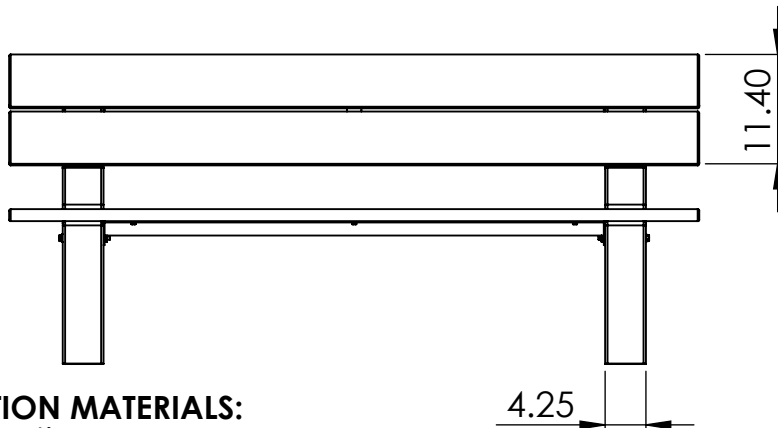
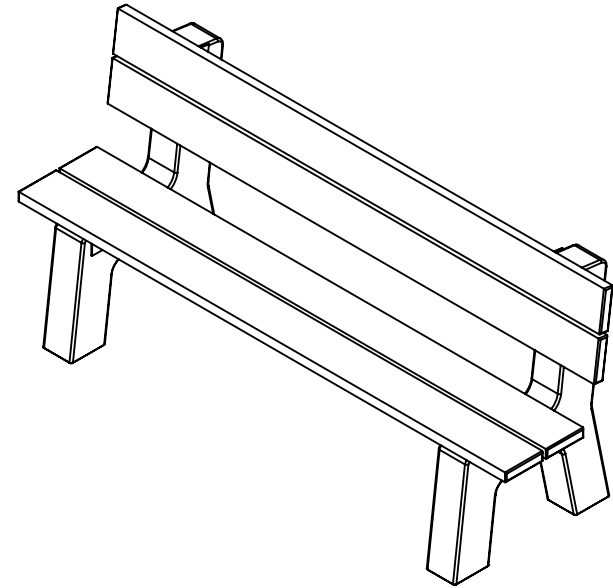
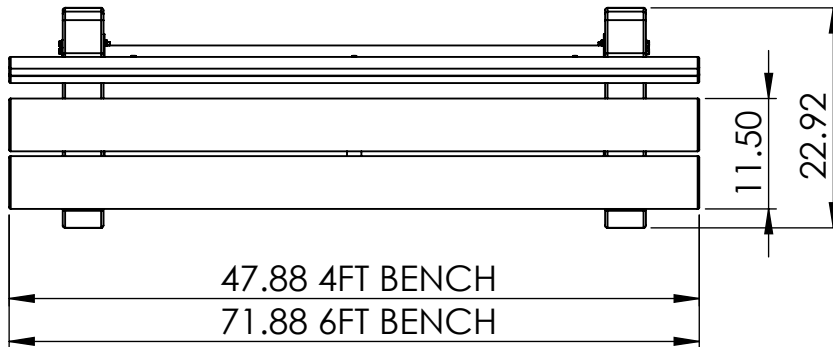
STEP 2

- Stand concrete ends 28.25" apart for 4' and 52.25" for 6'
- Secure boards and frame with 3/8-16 x 5" bolts, 3/8 washer and nuts

Bench Instructions

REV# 1
3/23/21

NH1004
NH1006



CONSTRUCTION MATERIALS:

Recycled Plastic
Concrete
Powder Coated Steel

Hardware:

Stainless Steel

ALL DIMENSIONS SHOWN IN INCHES