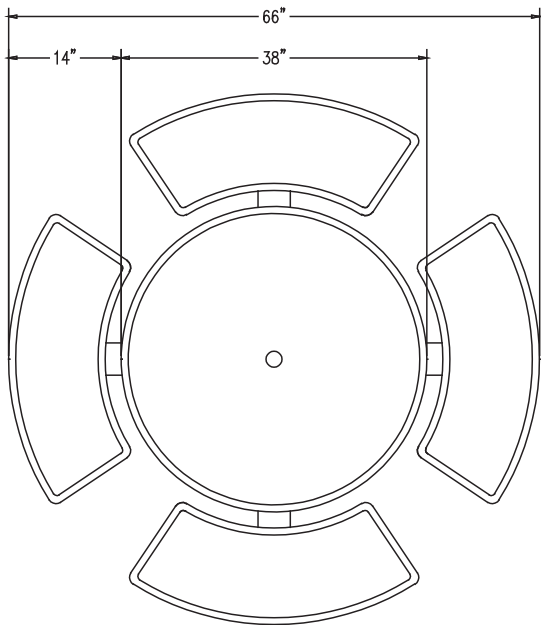


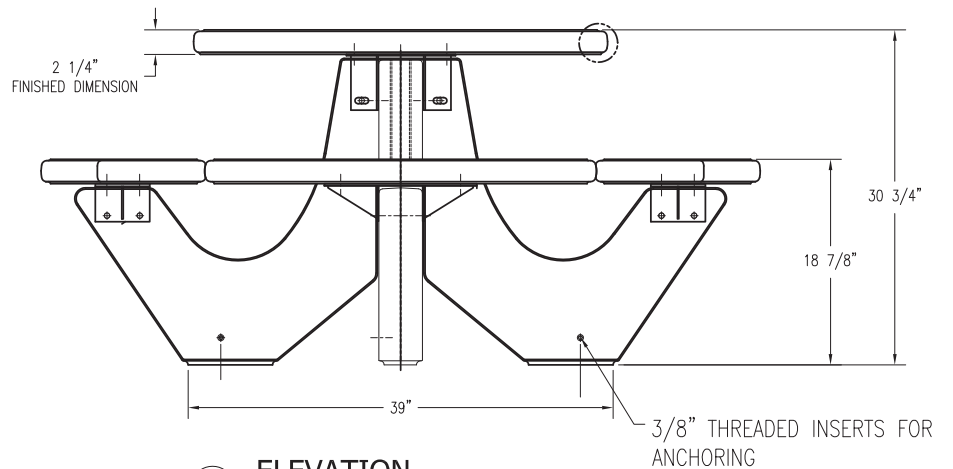
Round Concrete Table

Product Data

Size	66" dia. x 30.75" h
Weight	1100 lbs
Material	Reinforced Concrete (2) Table Legs (4) Seats (1) Table
ADA Complaint	No
Umbrella Hole	Yes
Assembly	Required



TOP VIEW



② ELEVATION

SCALE 1/8"=1"