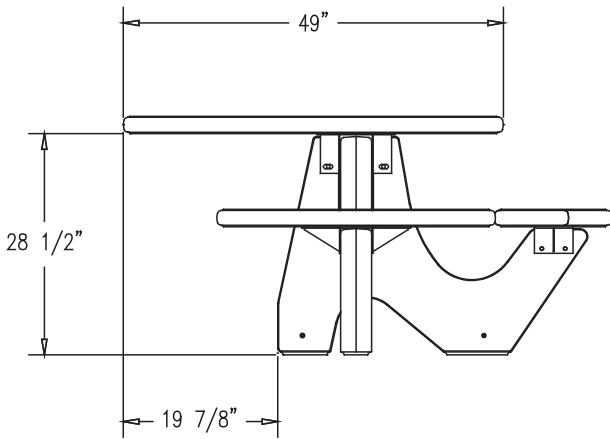


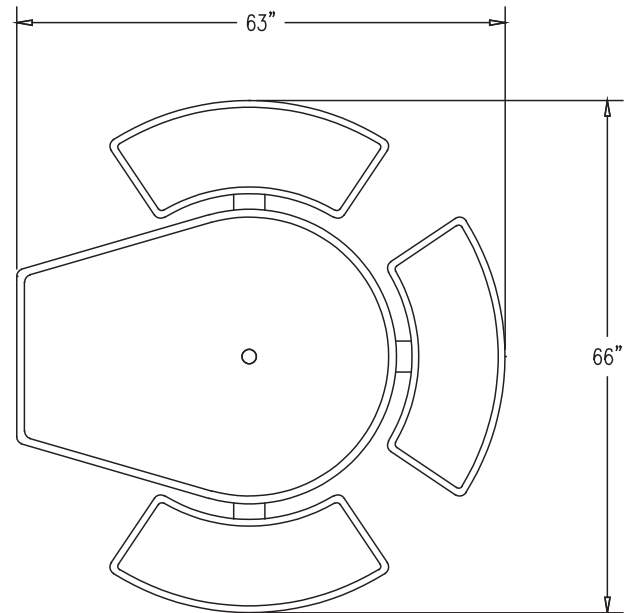
Round ADA Concrete Table

Product Data

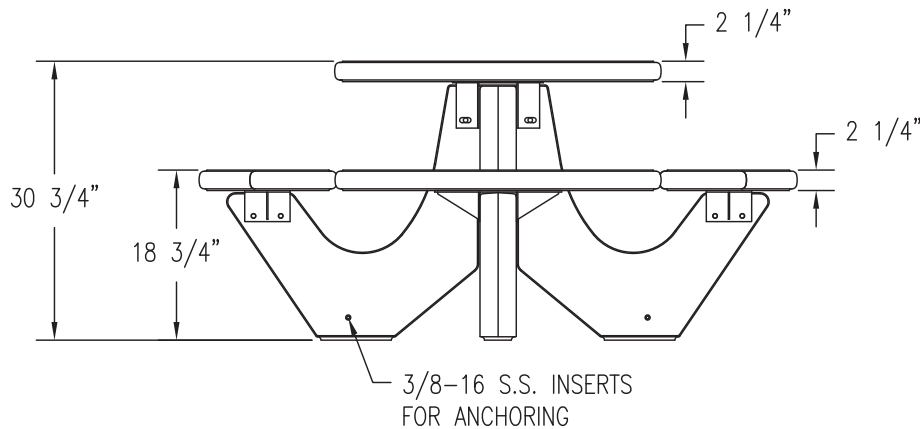
Size	75" dia x 30.75"h
Weight	800 lbs
Material	Reinforced Concrete (2) Table Legs (3) Seats (1) Table
ADA Complaint	Yes
Umbrella Hole	Yes
Assembly	Required



ELEVATION VIEW



TOP VIEW



2 **ELEVATION VIEW**

Scale: 1/16" = 1"